

LDI-785-FP-100

OVERVIEW

LDI-785-FP-100 is the laser diode coupled to an optical fiber and packaged into a hermetic case

MAIN FEATURES

- Wavelength: 785 nm
- Cavity type: Fabry-Perot
- Optical power: up to 100 mW in CW mode in single-mode fiber Nufern 780-HP
- Package types: coaxial with bracket, 14 pins DIL

APPLICATIONS

- Spectroscopy
- Biomedicine
- Sensorics

ORDERING INFORMATION

LDI-785-FP-100-X-18-X-X-X-X

Case type

B: compact coaxial with double-sided bracket
T: 14 pins DIL with thermal stabilization (TEC and thermistor)
E: 14 pins DIL with thermal stabilization (TEC and thermistor)
 Other type on request

Fiber type

SM05: SM, Nufern 780-HP, furcation tubing $\varnothing 0.9$ mm
SMP04: PM (PANDA), Fujikura SM63, furcation tubing $\varnothing 0.9$ mm
 Other type on request

Connector type

FU: FC/UPC
FA: FC/APC
N: no connector
 Other type: on request

Test measurements

CW: CW mode (electro-optical parameters at $T=25\pm 5$ C and spectrum)

Fiber length

0.5: 500 \pm 50 mm
1.0: 1000 \pm 100 mm
 Other length on request

LDI-785-FP-100

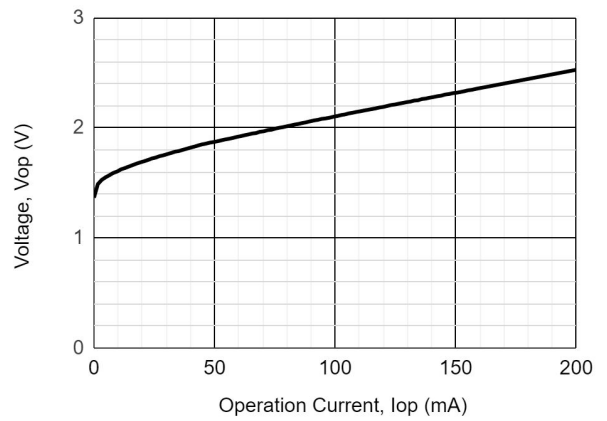
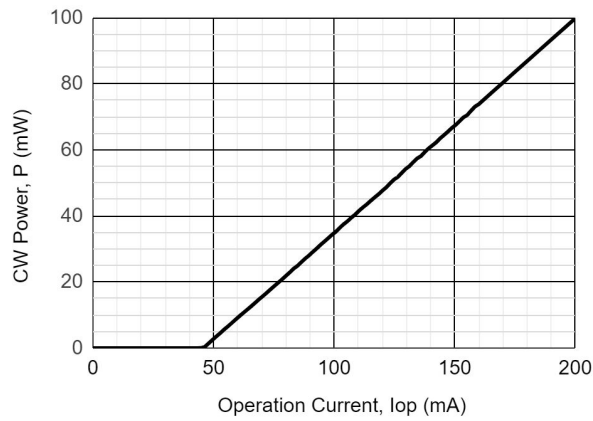
ABSOLUTE MAXIMUM RATINGS

Parameter		Value	Unit	Conditions
Output power	P_o	110	mW	CW
Laser diode reverse voltage	V_{RL}	1.5	V	
Operating temperature	T_{OP}	-10 - +70	°C	Package B
Operating temperature	T_{OP}	-40 - +50	°C	Package T, E
Storage temperature	T_{stg}	-40 - +85	°C	
Soldering temperature	T_{sold}	260	°C	Max. 10 seconds

ELECTRICAL-OPTICAL CHARACTERISTICS (T = 25 °C)

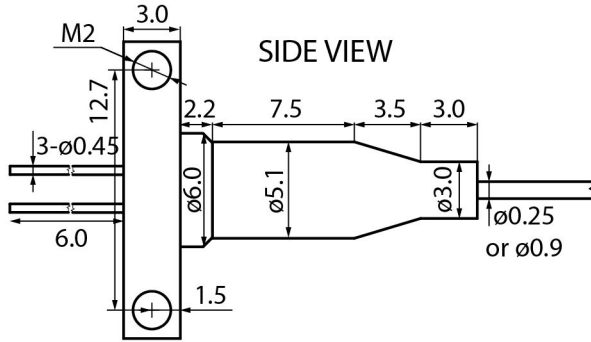
Parameter		MIN	TYP	MAX	Unit	Conditions
Wavelength	λ	777	783	791	nm	CW, P = 100 mW
Spectral width	$\Delta\lambda$		1	3	nm	CW, P = 100 mW, RMS
Threshold current	I_{th}		45	70	mA	CW
Operating current	I_{op}		200	240	mA	CW, P = 100 mW, SM05
Operating voltage	V_{op}		2.5	3.0	V	CW, P = 100 mW
Slope efficiency	S_e	0.50	0.70		W/A	CW, SM05

LDI-785-FP-100

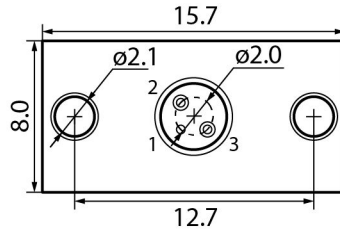


LDI-785-FP-100

PACKAGE B



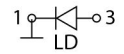
BACK VIEW



PINOUT

#18

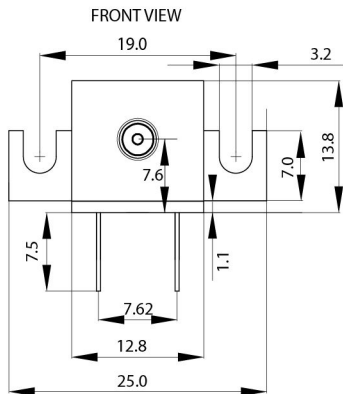
2 \circ



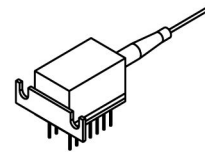
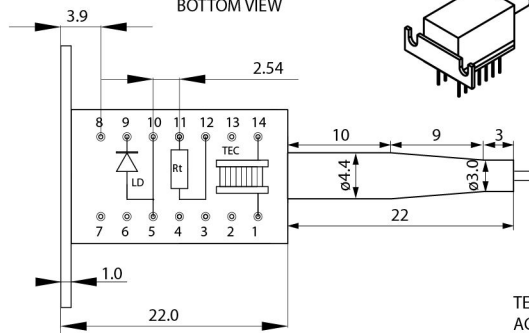
Connector FC/UPC, FC/APC, no connector, or by request

Fiber length 500+/-50, 1000+/-100, or by request

PACKAGE T



BOTTOM VIEW



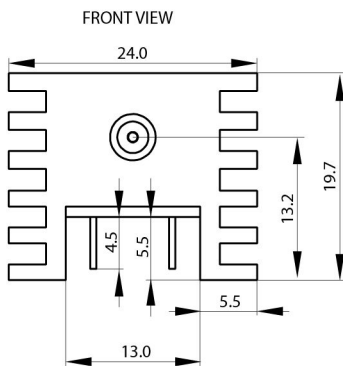
PINOUT #4, #18, #21, #31

- 1.TEC Anode
- 2.-
- 3.-
- 4.-
- 5.LD Anode
- 6.-
- 7.-
- 8.-
- 9.LD Cathode
- 10.LD Anode
- 11.Thermistor
- 12.Thermistor
- 13.-
- 14.TEC Cathode

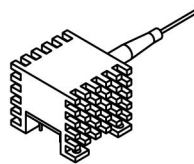
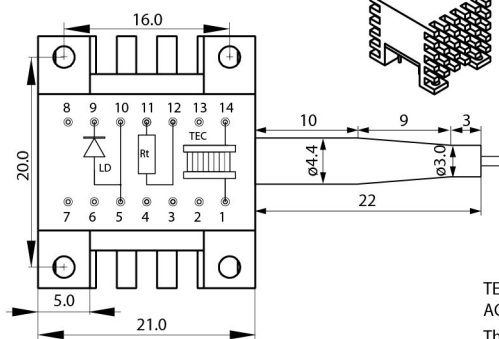
TEC: $I_{max}=1.4A$, $U_{max}=3.9V$, $Q_{max}=3.3W$,
AC R = 2.0 Ohm, $\Delta T_{max}=69K$

Thermistor:
 $R_t=10*EXP(3600*(1/T[K]-1/298))$ kOhm

PACKAGE E



BOTTOM VIEW



PINOUT #4, #18, #21, #31

- 1.TEC Anode
- 2.-
- 3.-
- 4.-
- 5.LD Anode
- 6.-
- 7.-
- 8.-
- 9.LD Cathode
- 10.LD Anode
- 11.Thermistor
- 12.Thermistor
- 13.-
- 14.TEC Cathode

TEC: $I_{max}=1.4A$, $U_{max}=3.9V$, $Q_{max}=3.3W$,
AC R = 2.0 Ohm, $\Delta T_{max}=69K$

Thermistor:
 $R_t=10*EXP(3600*(1/T[K]-1/298))$ kOhm

LDI-785-FP-100

Characteristics, data, materials and structures specified in this datasheet are subject to change without notice. Please refer to the latest specification before use of the products.

Safety and handling cautions

1. Avoid smashing and burning of the module. Avoid storing and using the module in conditions where water, organic solvents or aggressive acids or bases may contact the module or where there is a possibility of exposure to corrosive gases, explosive gases, dust, salinity or other harsh conditions. The module should be disposed as special industrial waste.
2. Exceeding absolute maximum ratings even for a short time can cause permanent damage of the module.
3. The module is sensitive to and can be broken by ESD (static electricity).

Conflict Minerals Policy Statement

LasersCom LLC achieves business objectives and customer needs with social responsibility. We do not support or contribute to the violence and human rights violations associated with the mining of conflict minerals coming from Conflict Regions according to US "Dodd-Frank Act". When possible, our suppliers' conflict mineral statements are reviewed. We do not directly purchase Conflict Minerals from any source and do not knowingly procure any parts and products containing Conflict Minerals from Conflict Regions.

RoHS Compliance Statement

Restriction of Hazardous Substances (RoHS) directive (Directive 2011/65/EC amended with Directive (EU) 2015/863) is the directive aimed at reducing the harmful environmental impact of waste electrical equipment by restricting the use of known dangerous substances. Based on information received from our supply sources, LasersCom LLC hereby states that the banned substances listed in the RoHS directive are not found in the parts and materials used above the threshold level listed other than exceptions approved by the European Commission.

REACH Compliance Statement

Registration, Evaluation, Authorisation and Restriction of Chemicals (REACH) is a European Union regulation 1907/2006/EC that addresses the production and use of chemical substances, and their potential impacts on human health and the environment. Based on information received from our supply sources, LasersCom LLC hereby states compliance of the parts and materials used in manufacturing to REACH regulation. LasersCom LLC does not manufacture or import any substances or preparations as defined under REACH.