

LDI-850-FP-20/60

OVERVIEW

LDI-850-FP-20/60 is the laser diode coupled to an optical fiber and packaged into a hermetic case

MAIN FEATURES

- Wavelength: 850 nm
- Cavity type: Fabry-Perot
- Optical power: up to 20 mW in CW mode and up to 60 mW in pulse mode in single-mode fiber Corning HI-780
- Package types: coaxial with bracket, 14 pin DIL
- Built-in monitor photodiode

APPLICATIONS

- Laser Systems

ORDERING INFORMATION

LDI-850-FP-20/60-X-3-X-X-X-X

Case type

B: compact coaxial with double-sided bracket
T: 14 pins DIL with thermal stabilization (TEC and thermistor)
E: 14 pins DIL with thermal stabilization (TEC and thermistor)
 Other type on request

Fiber type

SM05: SM, Corning Hi-780, furcation tubing \varnothing 0.9 mm
SMP05: PM, Fujikura SM85, PANDA type, furcation tubing \varnothing 0.9 mm
SM1: G.657.A1, furcation tubing \varnothing 0.9 mm
MM5: MM, 50/125, OM2, furcation tubing \varnothing 0.9 mm
MM6: MM, 62.5/125, OM1, furcation tubing \varnothing 0.9 mm
 Other type on request

Connector type

FU: FC/UPC
FA: FC/APC
N: no connector
 Other type: on request

Test measurements

CW: CW mode (electro-optical parameters at $T=25\pm 5$ C and spectrum)
P: pulse mode (10 us pulse, cycle duty 1%)
CWP: both CW and pulse mode

Fiber length

0.5: 500 \pm 50 mm
1.0: 1000 \pm 100 mm
 Other length on request

LDI-850-FP-20/60

ABSOLUTE MAXIMUM RATINGS

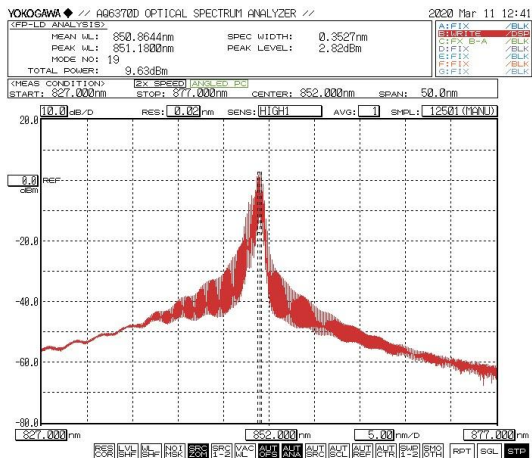
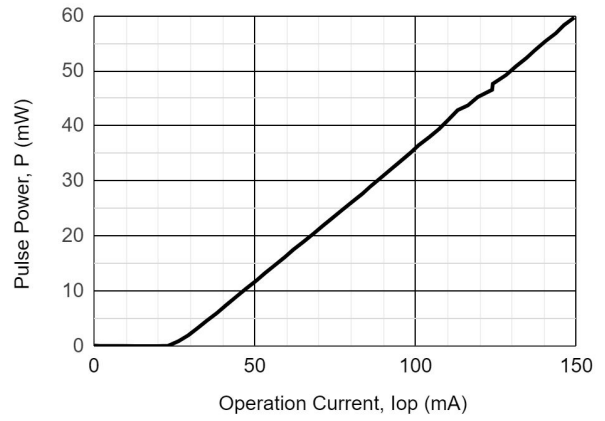
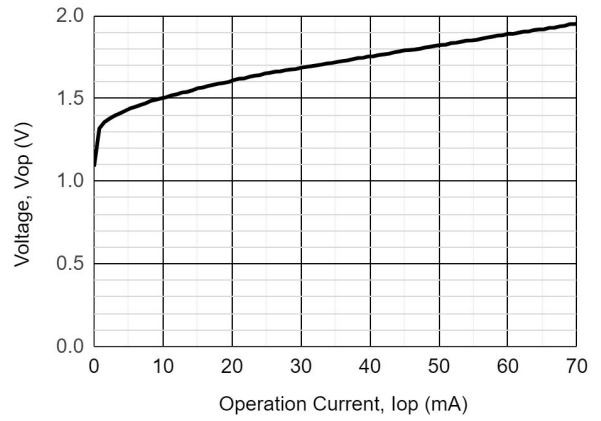
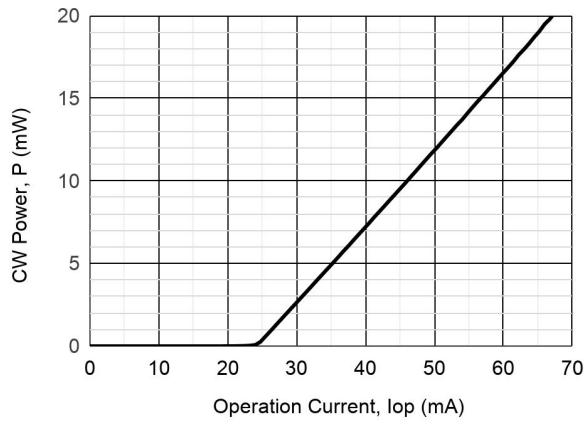
Parameter		Value	Unit	Conditions
Optical output power	P_o	20	mW	CW
Laser diode reverse voltage	V_{RL}	2	V	
Photodiode reverse voltage	V_{RP}	30	V	
Operating temperature	T_{OP}	-10 - +60	°C	Package B
Storage temperature	T_{stg}	-40 - +85	°C	
Soldering temperature	T_{sold}	260	°C	Max. 10 seconds

ELECTRICAL-OPTICAL CHARACTERISTICS (T = 25 °C)

Parameter		MIN	TYP	MAX	Unit	Conditions
Wavelength	λ	842	852	862	nm	CW, P = 20 mW
Spectral width	$\Delta\lambda$		1	3	nm	CW, P = 20 mW
Threshold current	I_{th}		25	35	mA	CW
Operating current	I_{op}		67	75	mA	CW, P = 20 mW, SM05
Operating voltage	V_{op}		1.9	2.4	V	CW, P = 20 mW
Slope efficiency	S_e	0.30	0.48		W/A	CW, SM05
Monitor current	I_m	0.10	0.19	0.50	mA	CW, P = 20 mW, $V_r = 5V$
Pulse optical power	P_p	50	60		mW	Pulse, $I_{op} = 150$ mA, SM05
Polarization extinction ratio	PER	20			dB	CW, SMP05

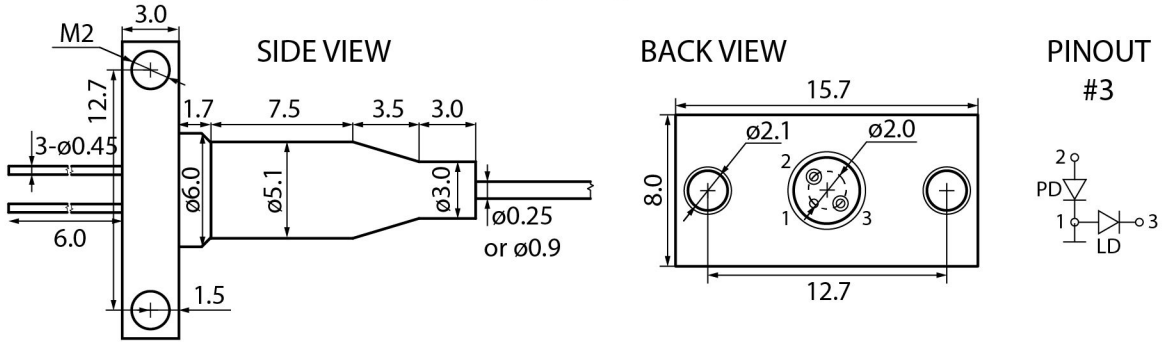
Pulse mode: pulse duration 10 μ s; duty cycle = 0.01

LDI-850-FP-20/60



LDI-850-FP-20/60

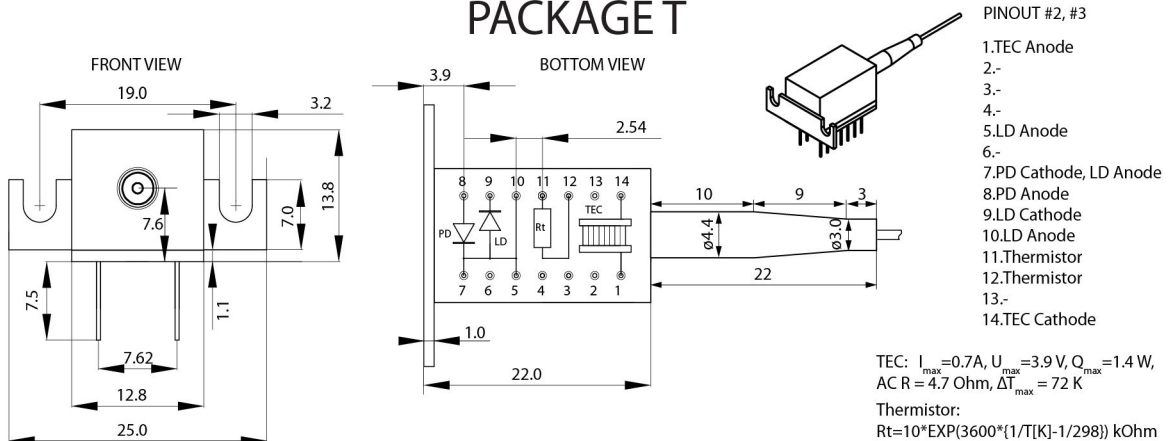
PACKAGE B



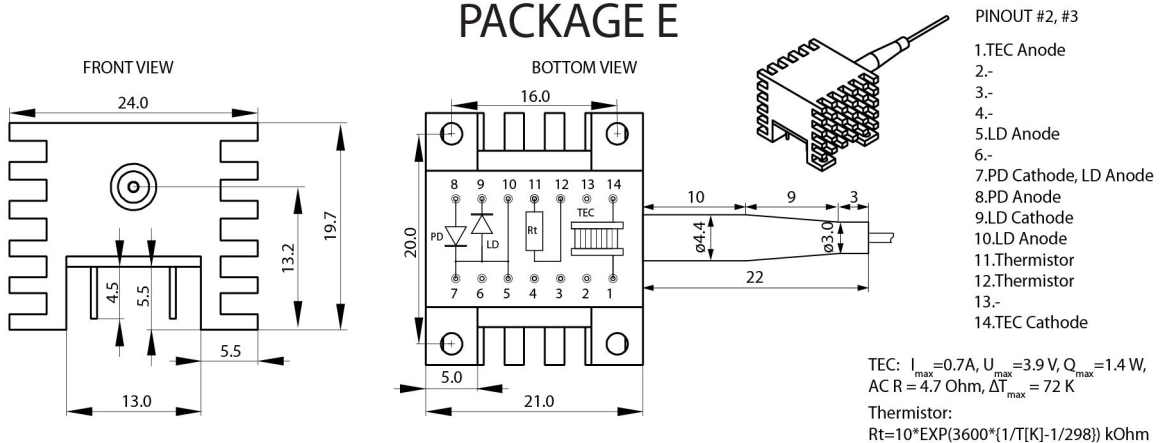
Connector FC/UPC, FC/APC, no connector, or by request

Fiber length 500+/-50, 1000+/-100, or by request

PACKAGE T



PACKAGE E



LDI-850-FP-20/60

Characteristics, data, materials and structures specified in this datasheet are subject to change without notice. Please refer to the latest specification before use of the products.

Safety and handling cautions

1. Avoid smashing and burning of the module. Avoid storing and using the module in conditions where water, organic solvents or aggressive acids or bases may contact the module or where there is a possibility of exposure to corrosive gases, explosive gases, dust, salinity or other harsh conditions. The module should be disposed as special industrial waste.
2. Exceeding absolute maximum ratings even for a short time can cause permanent damage of the module.
3. The module is sensitive to and can be broken by ESD (static electricity).

Conflict Minerals Policy Statement

LasersCom LLC achieves business objectives and customer needs with social responsibility. We do not support or contribute to the violence and human rights violations associated with the mining of conflict minerals coming from Conflict Regions according to US "Dodd-Frank Act". When possible, our suppliers' conflict mineral statements are reviewed. We do not directly purchase Conflict Minerals from any source and do not knowingly procure any parts and products containing Conflict Minerals from Conflict Regions.

RoHS Compliance Statement

Restriction of Hazardous Substances (RoHS) directive (Directive 2011/65/EC amended with Directive (EU) 2015/863) is the directive aimed at reducing the harmful environmental impact of waste electrical equipment by restricting the use of known dangerous substances. Based on information received from our supply sources, LasersCom LLC hereby states that the banned substances listed in the RoHS directive are not found in the parts and materials used above the threshold level listed other than exceptions approved by the European Commission.

REACH Compliance Statement

Registration, Evaluation, Authorisation and Restriction of Chemicals (REACH) is a European Union regulation 1907/2006/EC that addresses the production and use of chemical substances, and their potential impacts on human health and the environment. Based on information received from our supply sources, LasersCom LLC hereby states compliance of the parts and materials used in manufacturing to REACH regulation. LasersCom LLC does not manufacture or import any substances or preparations as defined under REACH.