

PMI-10G-L

OVERVIEW

PMI-10G-L is the InGaAs PIN photodiode with a low-noise transimpedance amplifier with auto gain control coupled to an optical fiber and packaged into a hermetic case

MAIN FEATURES

- Maximum optical input power: 1 mW
- Operation wavelength 1260 – 1620 nm
- Data rate: 2.5 Gbps
- Sensitivity: -15.5 dBm
- Package types: coaxial with or without bracket
- Low back reflection, return loss RL = 50 dB

APPLICATIONS

- Optical fiber communication systems

ORDERING INFORMATION

PMI-10G-L-X-X-13-X-X-X

Optical matching

R50: back reflection -50 dB (SM1 and SM3 fiber)

R30: back reflection -30 dB (MM5 fiber)

RM: optical matching, +5% larger responsivity

Case type

U: compact coaxial

B: compact coaxial with double-sided bracket

Fiber type

SM1: G.657.A1, furcation tubing Ø0.9 mm

SM3: G.657.B3, furcation tubing Ø0.9 mm

MM5: OM2 50/125

Other type: on request

Connector type

FU: FC/UPC

FA: FC/APC

N: no connector

Other type: on request

Fiber length

0.5: 500+/-50 mm

1.0: 1000+/-100 mm

Other length: on request

PMI-10G-L

ABSOLUTE MAXIMUM RATINGS

Parameter		Value	Unit	Conditions
Operating temperature	T_{op}	-40 ÷ +85	°C	
Storage temperature	T_{stg}	-40 ÷ +85	°C	
Soldering temperature	T_{sold}	260	°C	Max. 5 seconds

ELECTRICAL-OPTICAL CHARACTERISTICS (SM FIBER, $\lambda = 1310$ nm, $T = 25$ °C)

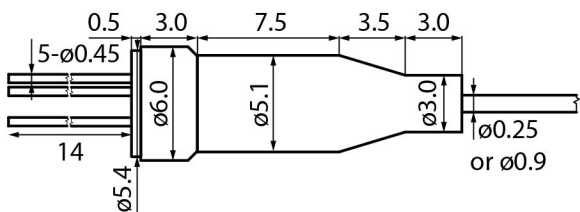
Parameter		Min	Typ	Max	Unit	Test conditions
Operating voltage	V_{cc}	3.0		3.6	V	
Operating current	I_{cc}			62	mA	no load
Differential responsivity	R_d	2.8		6.8	mV/ μ W	$R_{load} = 100 \Omega$, $P = -18$ dBm, $\lambda = 1310$ nm
Single-ended responsivity	R_S	1.4		3.4	mV/ μ W	$R_{load} = 50 \Omega$, $P = -18$ dBm, $\lambda = 1310$ nm
Bandwidth	BW	7.0			GHz	$P = -18$ dB
Low frequency cut-off	LF			70	kHz	
Rise/fall time	t_R, t_F			50	ps	$P = -18$ dBm, 20% - 80%, $\lambda = 1310$ nm
Saturation power	P_{sat}	0			dBm	
Impedance	R_0		50		Ω	
Sensitivity				-15.5	dBm	$\lambda = 1310$ nm, 10.31 Gbps, BER = 10^{-12} , PRBS31, ER = 7 dB
TIA RSSI	Slope	0.9	1.0	1.1	mA/mA	
	Offset	0	40	100	nA	
	Linearity Limit			1.6	mA	

PMI-10G-L

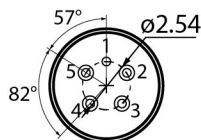
PACKAGE TYPE AND ELECTRICAL PINOUT

PACKAGE U

SIDE VIEW



BACK VIEW



PINOUT
#13

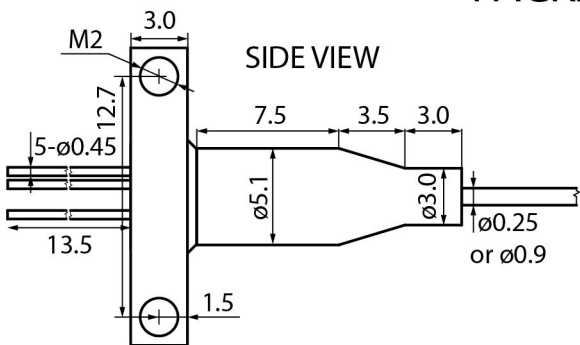
1. Gnd
2. Dout
3. Vcc
4. Isink
5. Dout

Connector FC/UPC, FC/APC, no connector, or by request

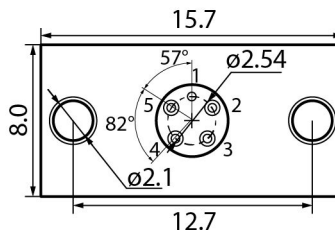
Fiber length 500+/-50, 1000+/-100, or by request

PACKAGE B

SIDE VIEW



BACK VIEW



PINOUT
#13

1. Gnd
2. Dout
3. Vcc
4. Isink
5. Dout

Connector FC/UPC, FC/APC, no connector, or by request

Fiber length 500+/-50, 1000+/-100, or by request

PMI-10G-L

Characteristics, data, materials and structures specified in this datasheet are subject to change without notice. Please refer to the latest specification before use of the products.

Safety and handling cautions

1. Avoid smashing and burning of the module. Avoid storing and using the module in conditions where water, organic solvents or aggressive acids or bases may contact the module or where there is a possibility of exposure to corrosive gases, explosive gases, dust, salinity or other harsh conditions. The module should be disposed as special industrial waste.
2. Exceeding absolute maximal ratings even for a short time can cause permanent damage of the module.
3. The module is sensitive to and can be broken by ESD (static electricity).

Conflict Minerals Policy Statement

LasersCom LLC achieves business objectives and customer needs with social responsibility. We do not support or contribute to the violence and human rights violations associated with the mining of conflict minerals coming from Conflict Regions according to US "Dodd-Frank Act". When possible, our suppliers' conflict mineral statements are reviewed. We do not directly purchase Conflict Minerals from any source and do not knowingly procure any parts and products containing Conflict Minerals from Conflict Regions.

RoHS Compliance Statement

Restriction of Hazardous Substances (RoHS) directive (Directive 2011/65/EC amended with Directive (EU) 2015/863) is the directive aimed at reducing the harmful environmental impact of waste electrical equipment by restricting the use of known dangerous substances. Based on information received from our supply sources, LasersCom LLC hereby states that the banned substances listed in the RoHS directive are not found in the parts and materials used above the threshold level listed other than exceptions approved by the European Commission.

REACH Compliance Statement

Registration, Evaluation, Authorisation and Restriction of Chemicals (REACH) is a European Union regulation 1907/2006/EC that addresses the production and use of chemical substances, and their potential impacts on human health and the environment. Based on information received from our supply sources, LasersCom LLC hereby states compliance of the parts and materials used in manufacturing to REACH regulation. LasersCom LLC does not manufacture or import any substances or preparations as defined under REACH.